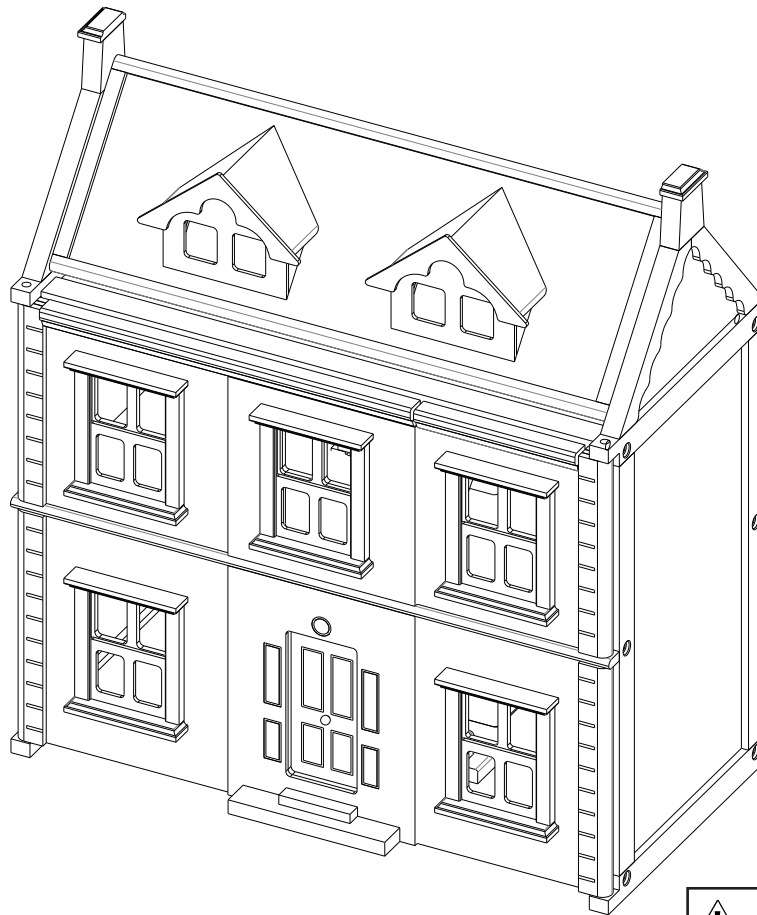


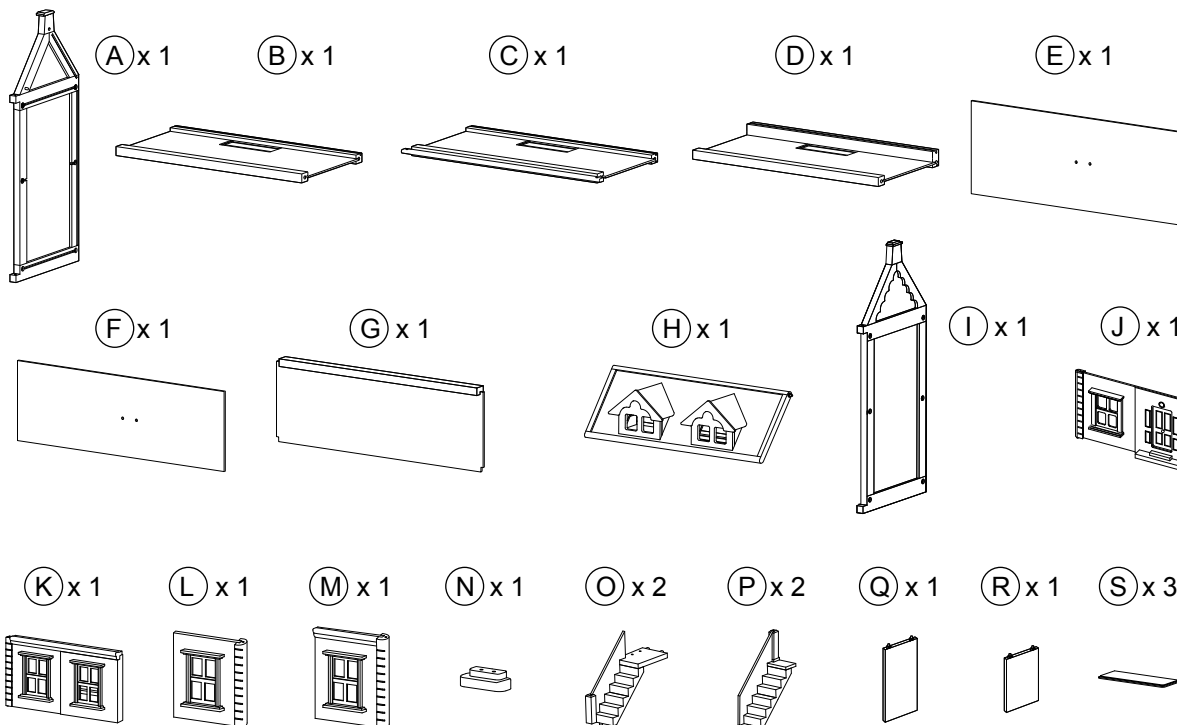
Instruction

To be assembled by adults only
1948 VICTORIAN DOLLHOUSE (DILLKA)

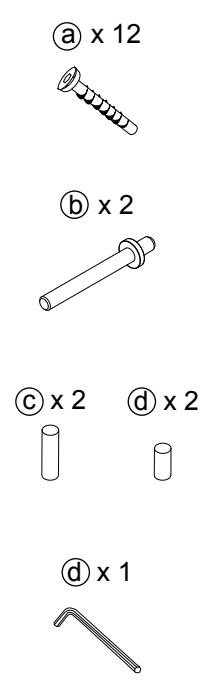


WARNING:
CHOKING HAZARD-
Small parts
Not for children under 3 years.
The toy is to be assembled by an adult.
Some parts of this product are small.
Keep out of baby's reach.

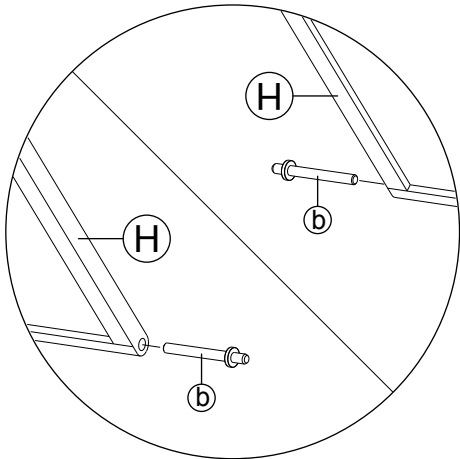
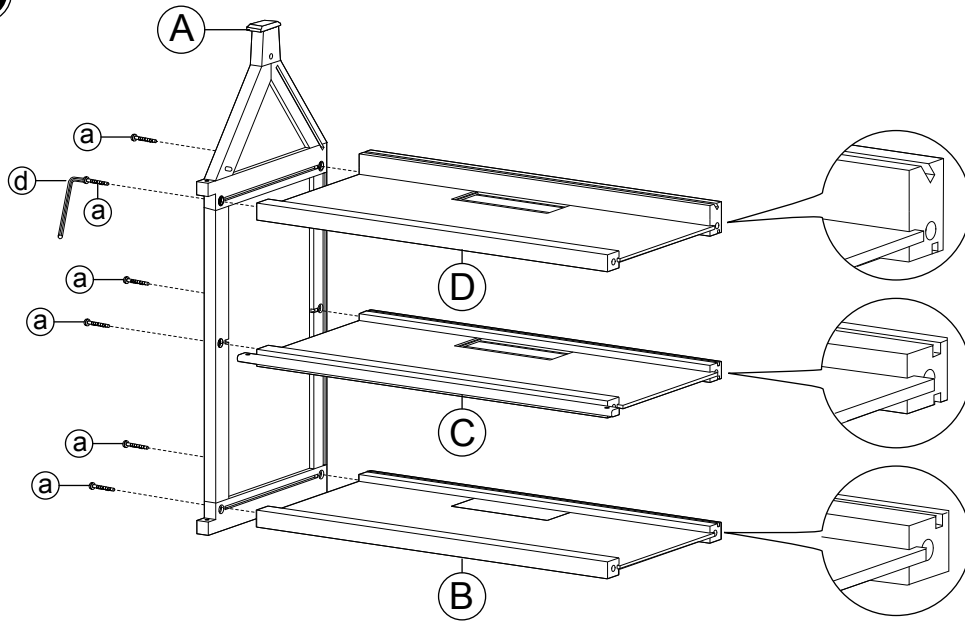
Parts List



Hardware List

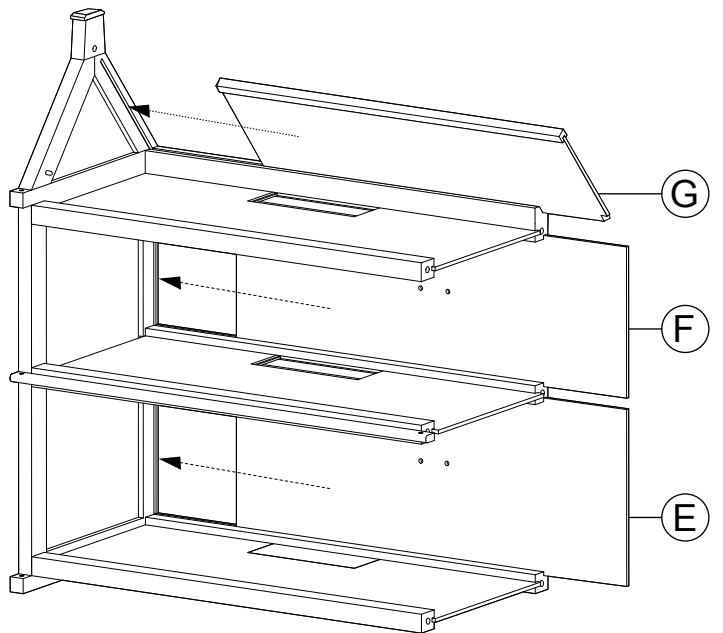


1

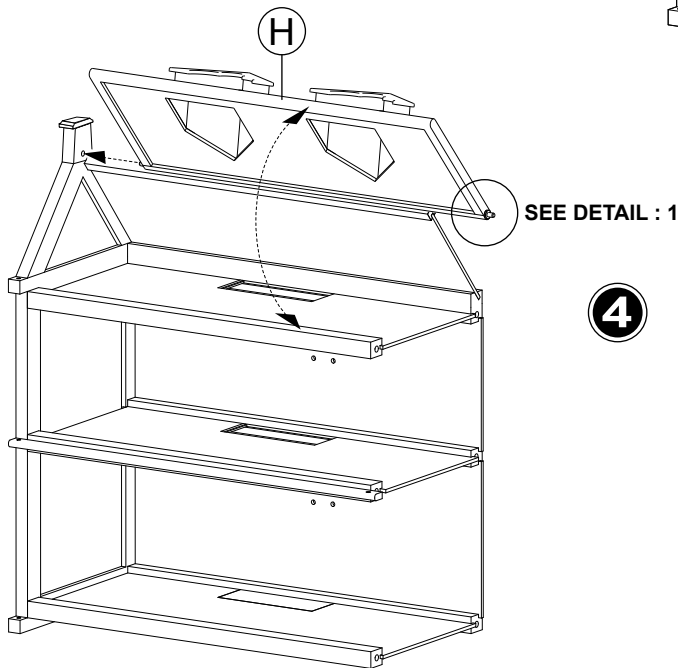


DETAIL : 1

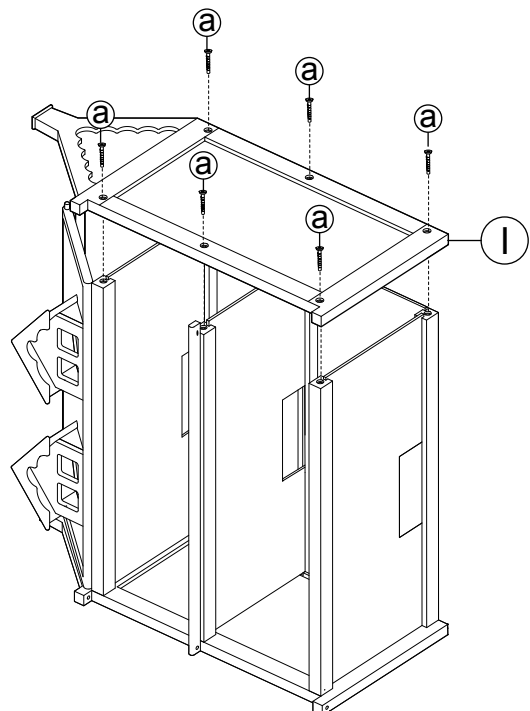
2



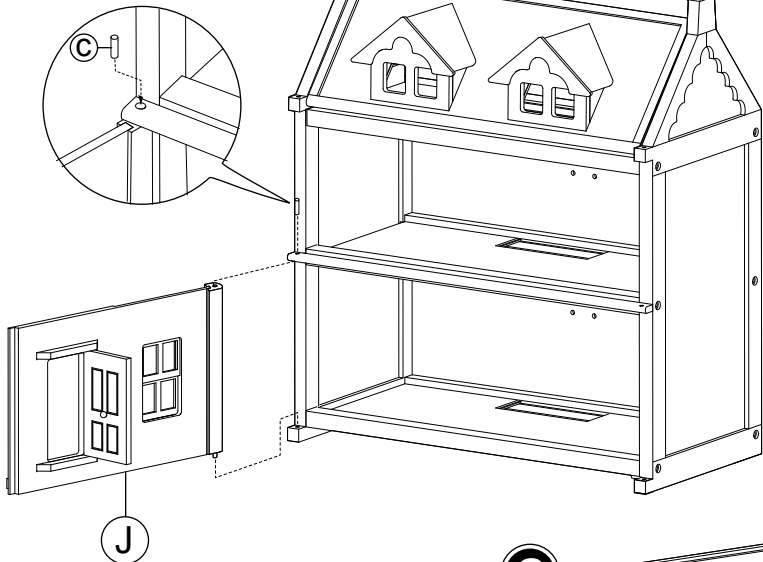
3



4

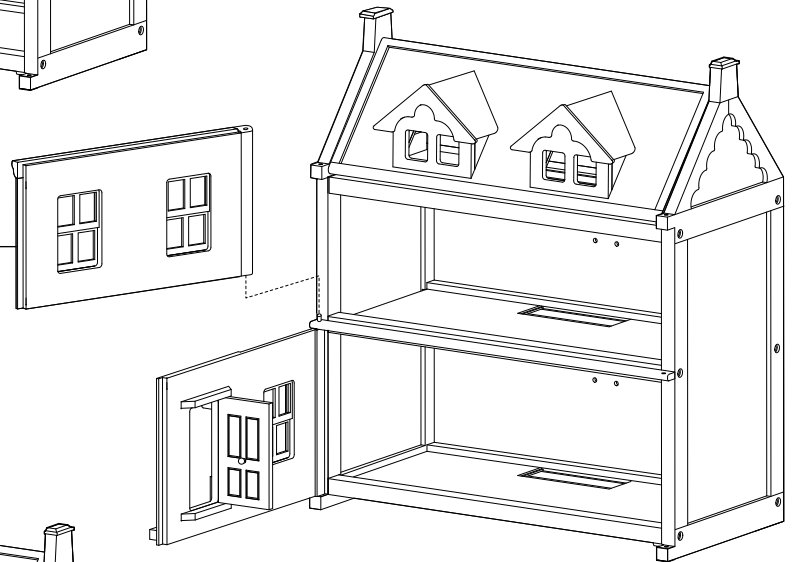


5

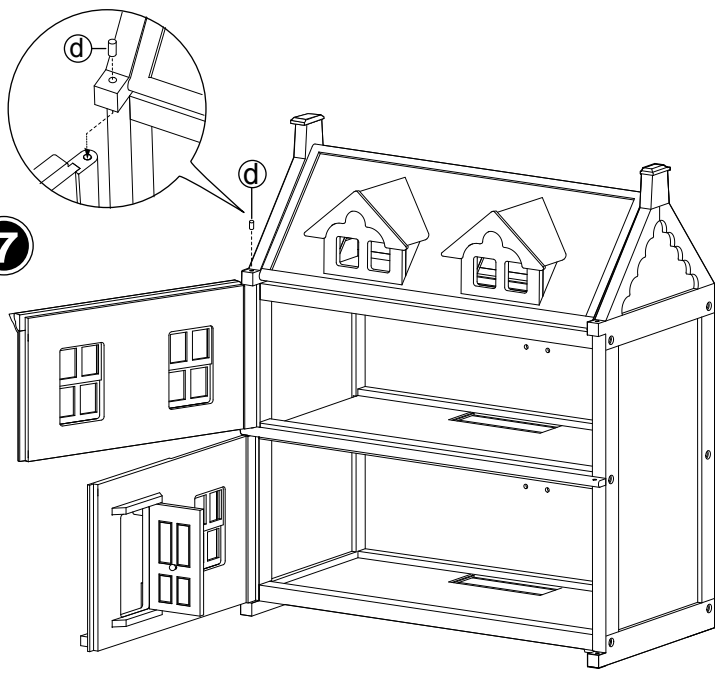


6

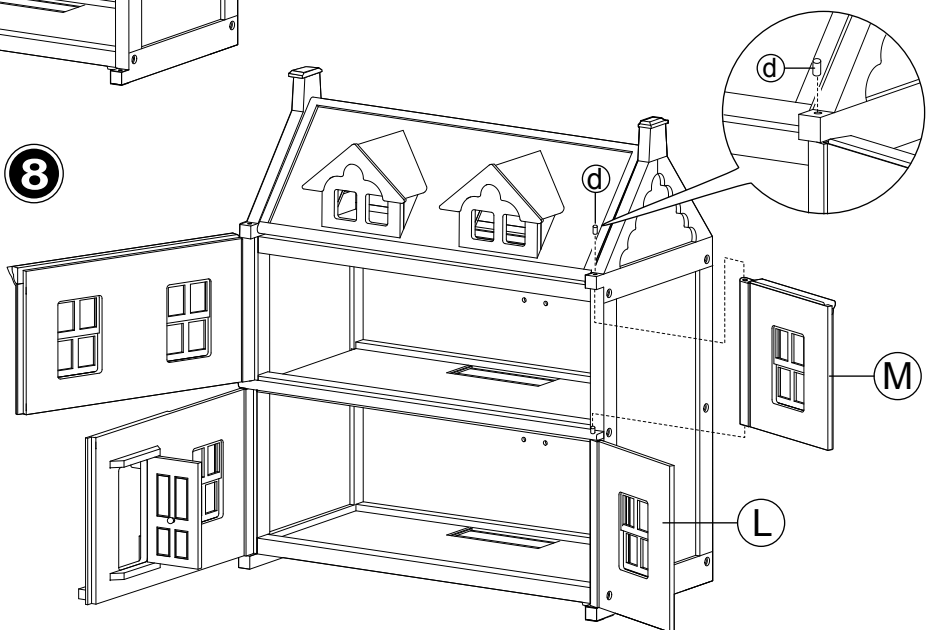
K



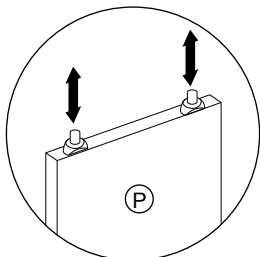
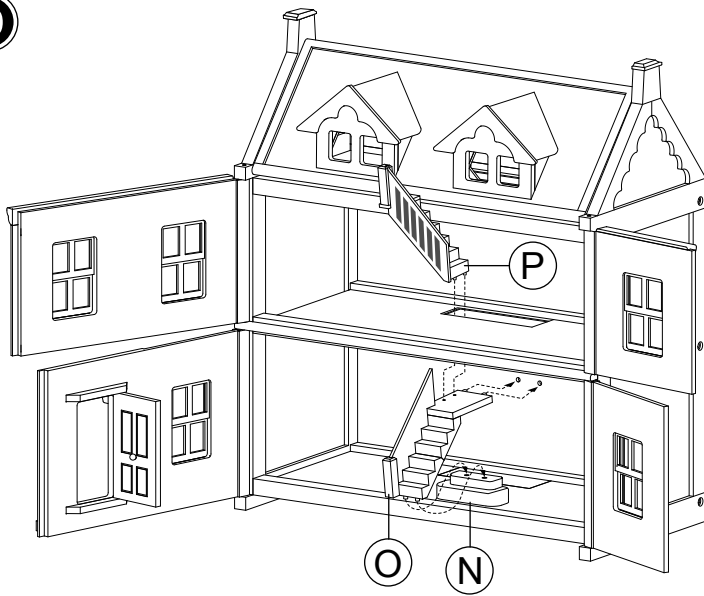
7



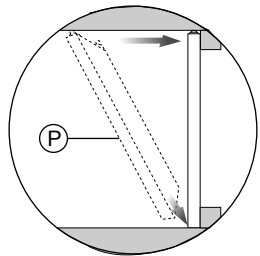
8



9

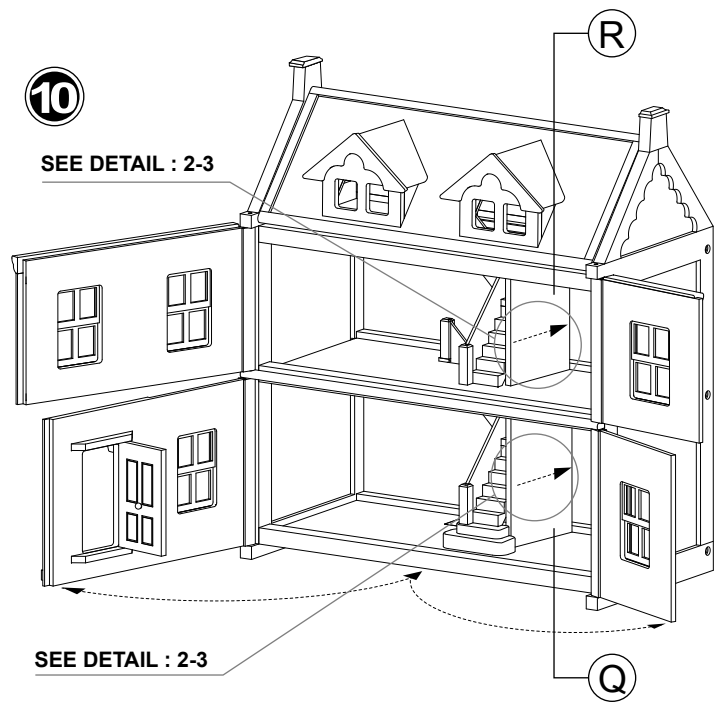


DETAIL : 2

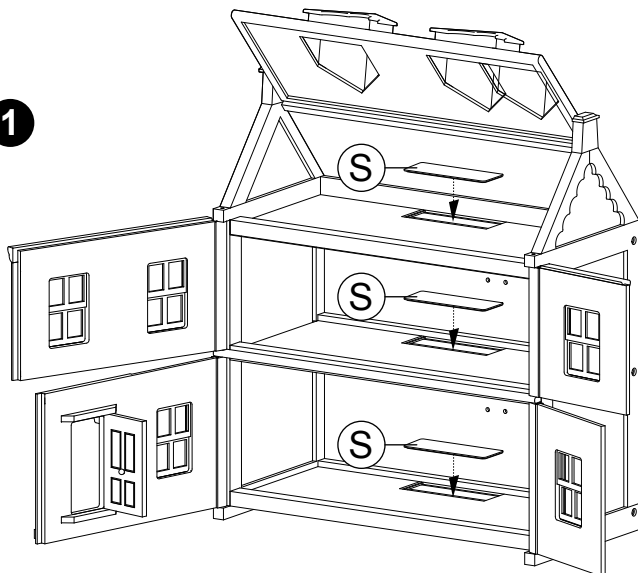


DETAIL : 3

10



1



2

